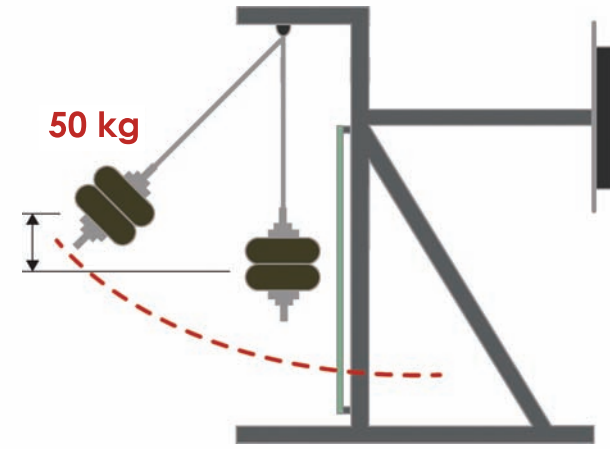


The balustrade seeglass Pro has been approved under the criteria of the UNE 85238 standard issued and verified according to DB SE-AE Technical Building Code (TBC).

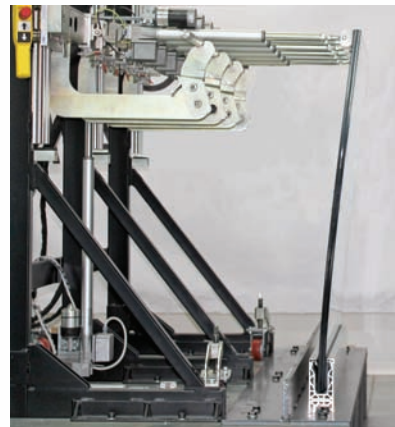


**UNE 852385 standard features:**

The test involves subjecting the railing to the shock action represented by the perpendicular fall of a large soft body of a substantially spherical shape of approx. 50kgs weight in the geometric centre of the glass piece.

As specified by the rule, once the glass is impacted it should not break into pieces or items that could cause injury people located outside and shall prevent the passage of a hexagonal body of 25x18 cm.

**RAILING RESISTANCE TO HORIZONTAL STATIC LOAD**

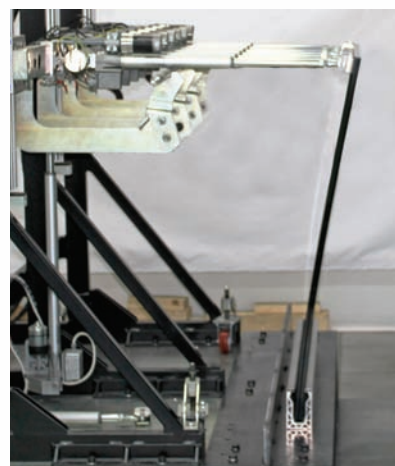


Deformation under 3KN/m load

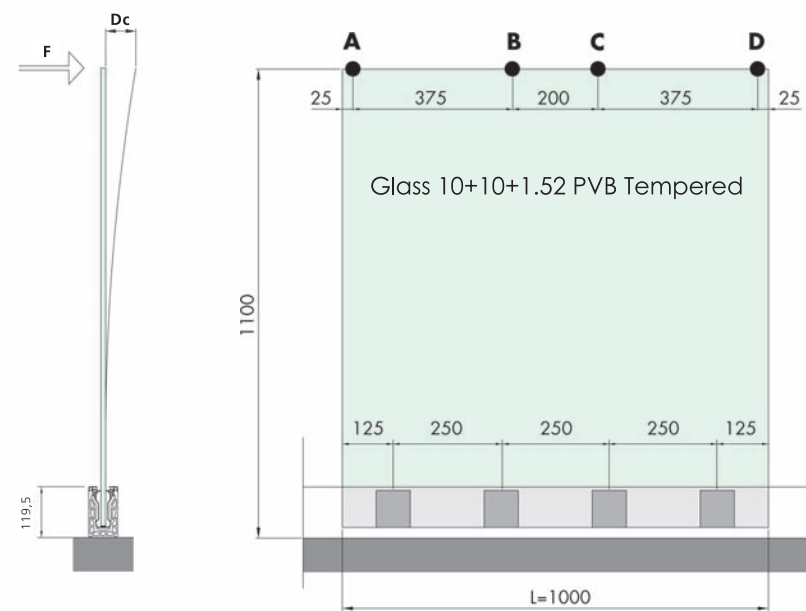
The following chart summarizes the results of the test load resistance carried out to the **seeglass PRO** floor anchoring variant.

**F:** Unit load per meter  
**Dc:** Under pressure displacement

UNIT LOAD F (kN/m)	PRESSURE DISPLACEMENT			
	A (mm)	B (mm)	C (mm)	D (mm)
1,00	28	25	27	28
2,00	72	70	71	73
3,00	109	108	109	109
4,50	193	191	192	194



Deformation under 4.5KN/m load



c3systems@c3systems.es · www.c3systems.es · www.seeglass.es

Creating usable spaces  
with unimpeded views...





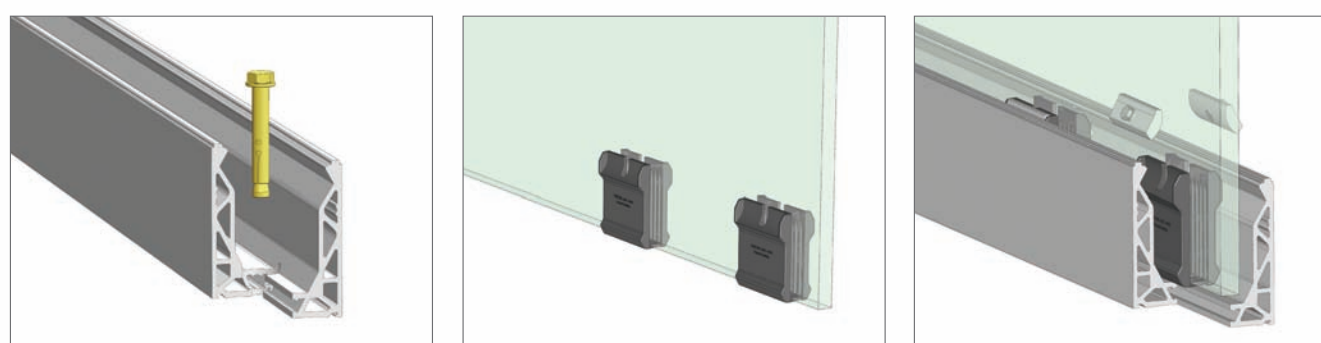
**seeglass PRO** is the protection balustrade with safety glass that best fits the current regulation, without the building design being affected.

Traditionally any kind of building or construction includes guard rails made of aluminium or barrier solutions ruining the aesthetic or not meeting the security requirements.

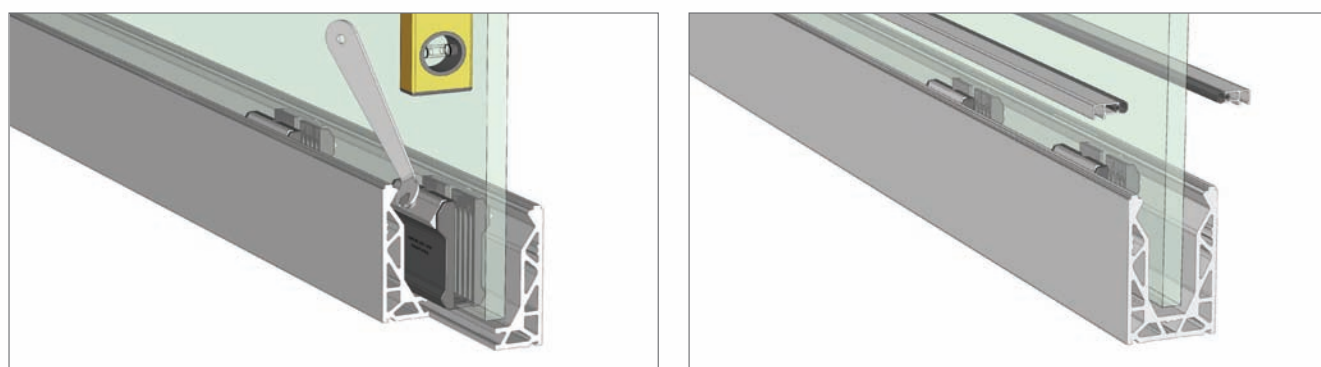
The innovative design of the balustrade **seeglass PRO** is specifically based on the use of glass as the main raw material for manufacturing. The combination of both elements: high quality structural aluminium joined with guaranteed properties of tempered and laminated glass, by testing and certifications, provide the ability to prevent from falling death or even to withstand impacts. In this way the end user will feel safer in case of an impact against the balustrade.

Glass used in balustrades manufacturing provides transparency, lightness, safety and of course, aesthetics and design that fully fulfil the requirements of modern architecture.

**INSTALLATION**



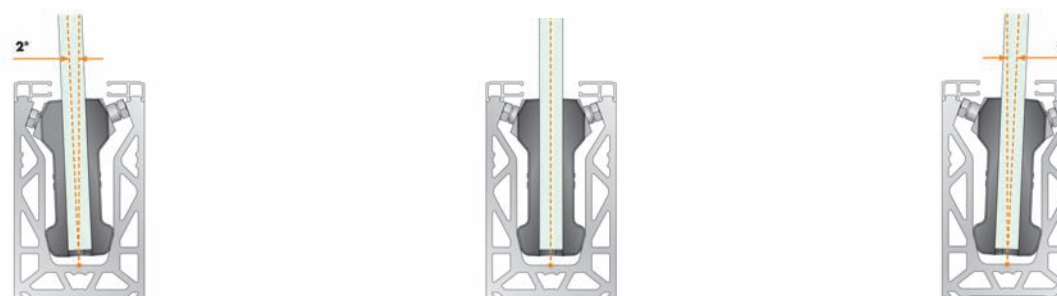
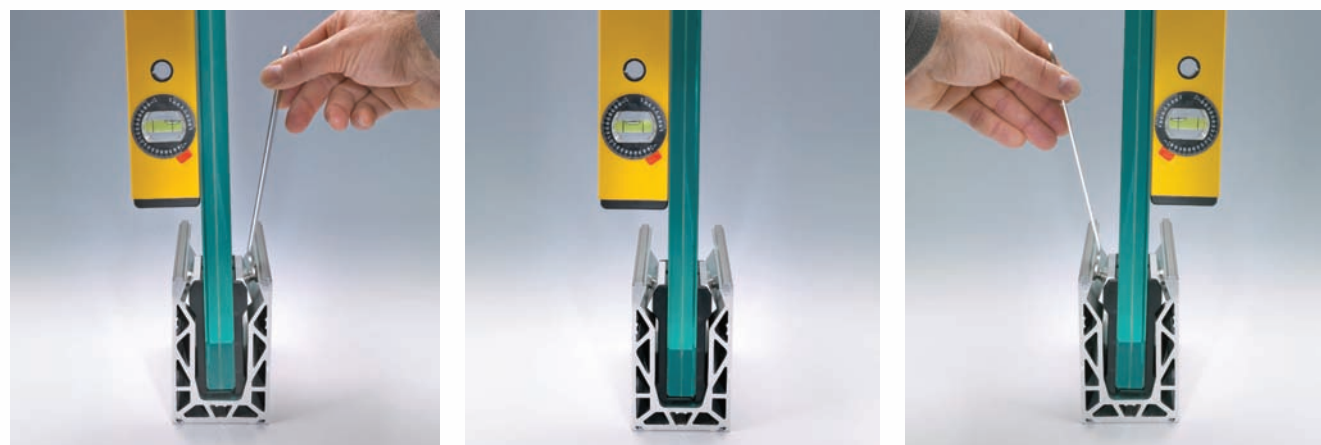
- Fasten the screw.
- Position clamps as requested.
- Position 2 adjustable pressing devices in each clamp.



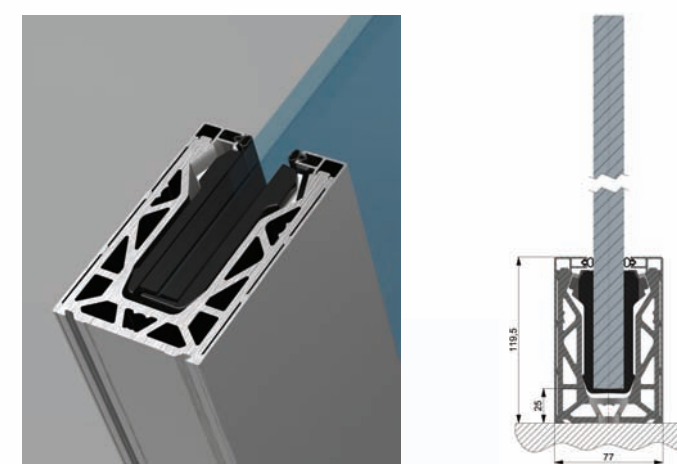
- Easy glass angle adjustment.
- Assemble finishing profiles and end caps.

**ADJUSTMENT**

Simple adjustment for proper alignment of glass without wedges.

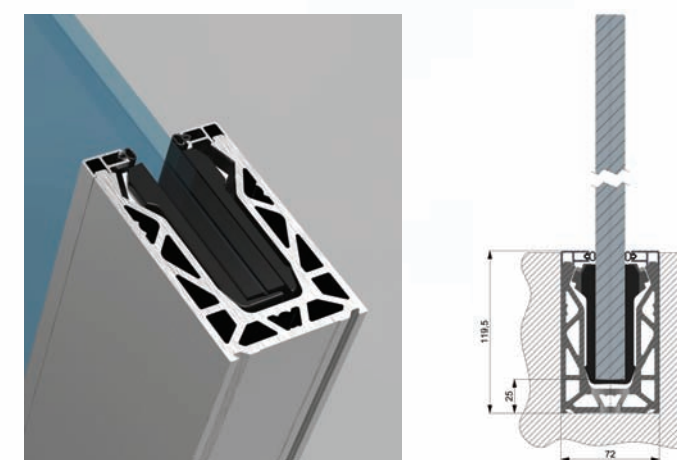


**SEEGLOSS PRO ANCHORED TO FLOOR**



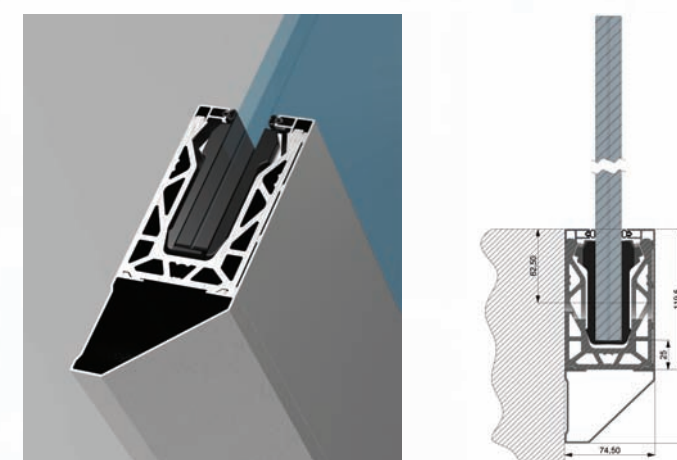
This variation is particularly suitable for installation on floor. It is mainly composed of seeglass-pro profiles and 2 finishing profiles with all accessories needed for assembly and setting.

**SEEGLOSS PRO EMBEDDED**



This variation is designed for installation embedded in the floor. It is mainly composed of seeglass-pro profiles and 2 finishing profiles with all accessories needed for assembly and setting.

**SEEGLOSS PRO SIDE ANCHORING**



This variation offers the possibility to install the balustrade in a frontal way or in a façade. It includes 1 side finishing profile, 1 end cap and 1 bottom cladding profile to finish off with all accessories needed for assembly and setting.

Available finishes: anodized silver mat and stainless steel effect. Other colours please ask.  
Available for 8+8 and 10+10 tempered glass.